

User manual

HSB701/HSB702/HSB711

HSB720

HSB752

HSB795A/HSB795B/HSB795C

INTRODUCTION:

7 series A product is one of the Mini stage series. It can be used as a hanging light, also can used as a ceiling light by replacing the handle with a ceiling panel. The light has built-in 4 buttons and a display digital tube, a cable holder for 1 input and 1 output, a 3 pin XLR for 1 input (optional), AC100-240V wide voltage input. The 7 Series A product currently have 4 products developed, which are easy to control, easy to operate, small and exquisite appearance, stylish and practical, and rich in light effects and dynamic. You can choose a single one to use, also can combine any of them according to your preference.

Application fields:

Homes, villas, hotels, bars, KTV, shopping malls, leisure venues, multi-function hall...

Suitable for Birthday Party, friends gathering, personal enjoyment, gifts, atmosphere creation, advertising solicitation...

FEATURES

1. Small size, light weight, exquisite appearance, streamlined modern style, in line with the public aesthetic concept.
2. Low power consumption; Energy saving, using high-quality laser or LED as a light source, high brightness and durability.
3. With many different effects, Multiple forms of mechanical motion, move or stop, fast or slow.
4. Air isolation, great heat dissipation, reasonable construction design, low noise fan to assist air convection.
5. Durable, made of high quality ABS plastic, good abrasion resistance, chemical stability, electrical and mechanical strength.
6. Surface color and pattern can be customized. Can form rich

Please disconnect the power before disassemble and maintain the light. It's important to keep the light clean which can maintain the maximum brightness output and prolong its working life. It's recommended to clean the light with lint-free cloth and high-quality glass cleaner. Do not clean with alcohol or chemical solvents. When the light doesn't work, please contact professional person to repair it. Do not disassemble it by yourself.

			value ,the slower
CH11	0~63	Manual select color	
	64~127	Color Auto switching effect, the bigger value ,the faster	
	128~191	Auto flow effect, the bigger value ,the faster	
	192~255	Auto fade effect, the bigger value ,the faster	
CH12	0~83	No function	
	84~125	Auto 1 , run the built-in animation	
	126~251	Auto 2, run the built-in beam effect	
	252~255	No function	

BASIC INFORMATION

1、 Package:

Packing: This series of products are made of K2K corrugated reinforcing paper, which is made of high-density molded foam.

Outer packing: K-shaped corrugated paper for outer carton, with 4pcs per carton

2、 Packing Contents:

7 series B light 1pc

Hanging handle 1pc,

Handle knob 2pcs

Rubber gaskets 2pcs

Safety rope 1pc

Safety ring 1pc

Cleaning and maintenance

color gorgeous appearance, and make it match with different external environment.

7. Unique assembly structure design, simple installation, can be installed by hanging or ceiling.

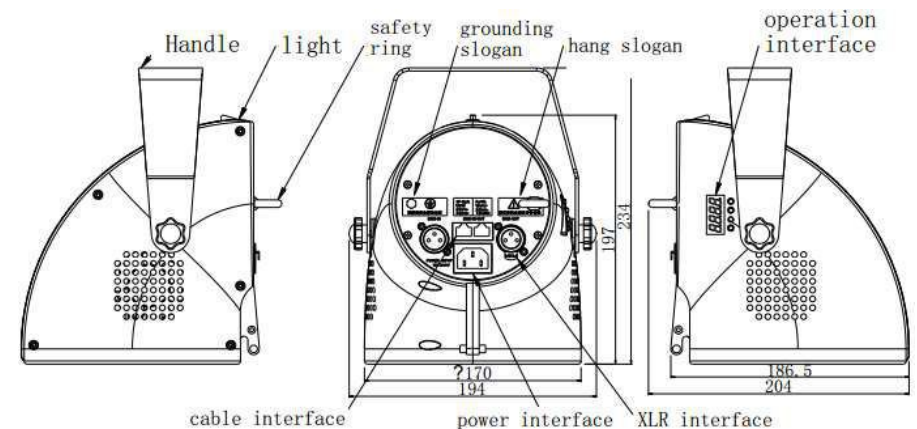
8. The network cable acts as a DMX signal transmission line, and the light is provided with a plug-in and a network cable socket, which can conveniently realize the mutual string of signals.

9. Multiple styles and choice. Operation by unit or multiples matching various combination, with different control system such as DMX control, Tablet PC, and smart phone. It's possible to be a DIY lighting master.

10. A wide range of applications for different occasions.

11. Elegant package both as electronic consumption product and as a GIFT.

STRUCTURE INTRODUCTION



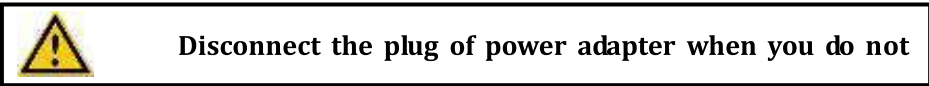
SECURITY INFORMATION

Thank you for using our products, the high quality products and perfect service will make you satisfied. For your safety and the

better play of the lighting function, please read the User's Manual carefully before your operation.

In order to install, operate, maintain the lighting safely, it's recommended to install and operate the light by qualified professionals according to the guidance of this manual .

11、Warning:



2、Packing content:

Please check if all the contents are completed after unpacking , then, check if the light is undamaged.

Please you can keep the original package and return to the factory if it's damaged. Check if the voltage is in accordance with the rate power.

All the safety should be taking into consideration before and during operation and installation:

1. Open the carton, take all the accessories from it, and open the Polystyrene packaging, take out the lighting and check whether it's damaged.
 2. Only the professional person can repair and operate the lighting under the instruction of the manual.
 3. This product for indoor use only. The protection rating is IP20.
- Please keep the light

HSB795C	CH2	0~255	Pattern option, each two value can select one pattern
	CH3	0~127	Manual rotate angle
		128~191	Auto reverse rotate, slow to fast
		192~255	Auto forward rotate, slow to fast
	CH4	0~127	Manual flip horizontal
		128~255	Auto flip horizontal, slow to fast
	CH5	0~127	Manual flip vertical
		128~255	Auto flip vertical ,slow to fast
	CH6	0~127	Manual move horizontal
		128~255	Auto move horizontal, slow to fast
	CH7	0~127	Manual move vertical
		128~255	Auto move vertical, slow to fast
	CH8	0~63	Manual select pattern size
		64~127	Pattern auto change from big to small , the bigger value ,the faster
		128~191	Pattern auto change from small to big, the bigger value ,the faster
		192~255	Pattern auto change size ,the bigger value ,the faster
CH9	0~127	Gradually draw , the bigger value ,the faster	
	128~255	Gradually draw and disappear, the bigger value ,the faster	
CH10	0~127	Sweep speed, the bigger value ,the slower	
	128~255	Point sweep speed ,the bigger	

far away from the water or other liquid.

4. The light must keep dry and avoid to use under the moisture, overheat or dusty environment.

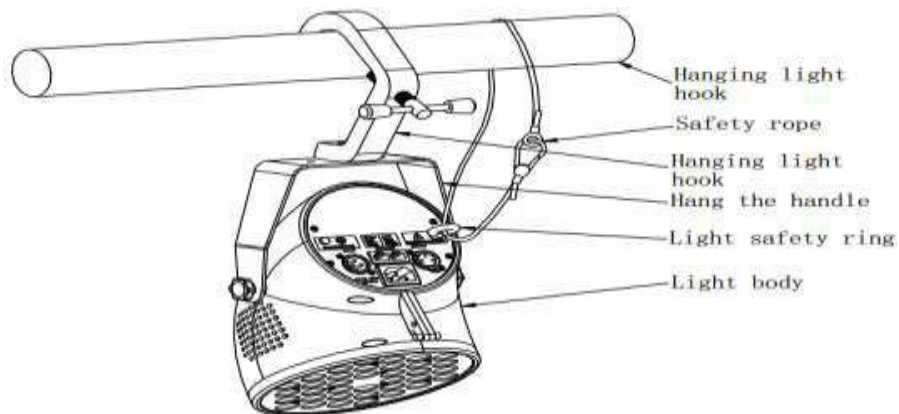
5. Make sure the normal and stable work environment temperature of this lighting not exceed 40°C, the lowest temperature not exceed -20°C

6. Do not touch the light while it is working under steady heat dissipation working conditions.

7. There is not any replaceable spare parts inside the light, do not use the light when the housing cover is opened.

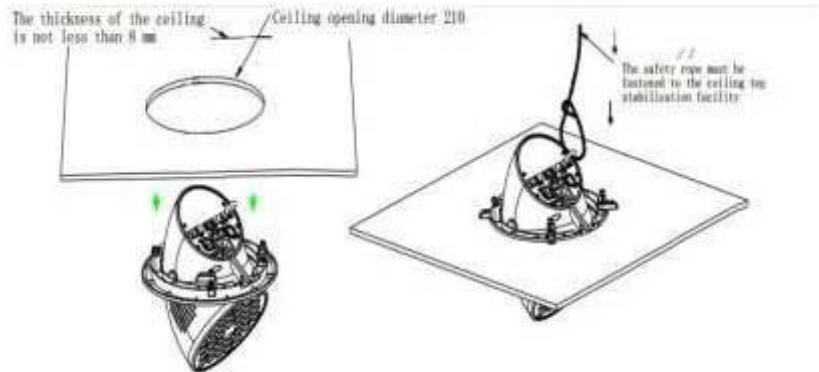
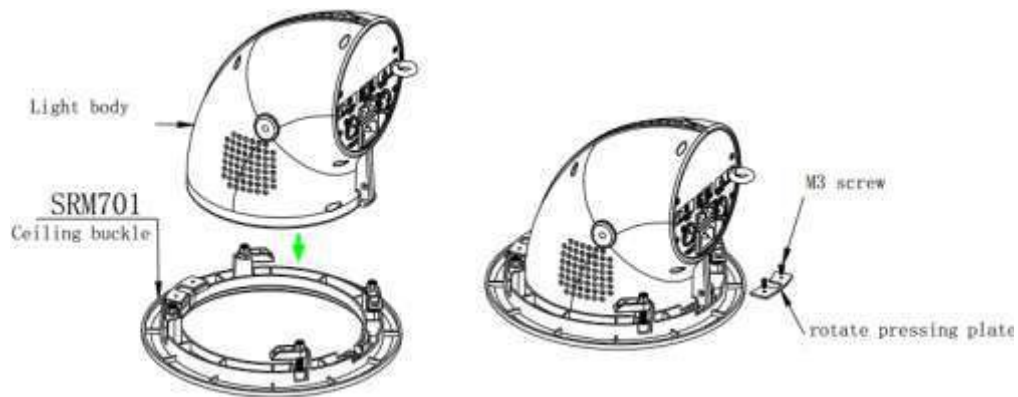
五、INSTALLATION INSTRUCTION

1、The installation of handling

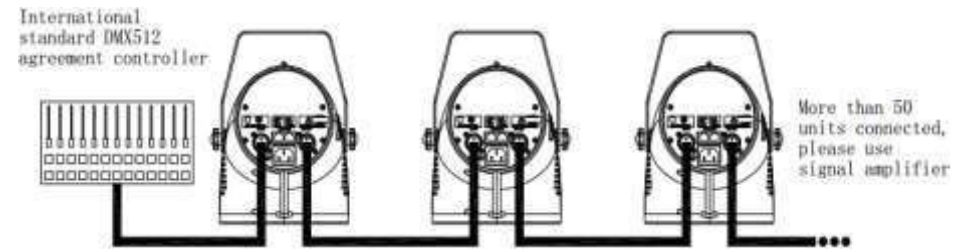


2、Ceiling installation

Model	Channel	Value	Function	
HSB720 HSB752	CH1	0-7	No function	
		8-239	Strobe on, slow -fast	
		240-255	Strobe off ,light on	
	CH2	0-255	Dimmer 0-100%	
	CH3	0-255	R dimming 0-100%	
	CH4	0-255	G dimming 0-100%	
	CH5	0-255	B dimming 0-100%	
	CH6(be controlled with CH2)	0-22	NO function	
		23-183	Manual color selection	
		184-206	Color auto 1	
		207-229	Color auto 2	
	CH7	230-255	Color auto 3	
		0-255	Effect speed control (use with CH6)	
		CH8	0-79	Manual control magic rotate
			80-161	Manual control magic shake, small to large
	162-208		auto rotate clockwise, slow to fast	
209-255	Auto rotate anti-clockwise, slow to fast			
CH9	0-30	No function		
	31-100	Auto 1		
	101-180	Auto 2		
	181-255	Sound activation		
Model	Channel	Value	Function	
HSB795A HSB795B	CH1	0~4	laser light close	
		5~255	laser light out	



4. DMX512 control connection:



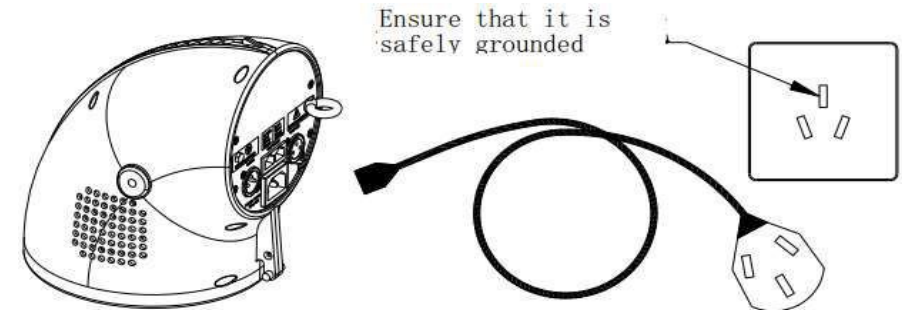
5. Channel


Model	Channel		Value	Function	
	5 CH	8CH			
HSB701 HSB702 HSB711	CH1	CH1	0-255	Dimmer 0-100%	
		CH2	0-7	No function	
			8-76	Strobe mode 1, slow -fast	
			77-145	Strobe mode 2, slow -fast	
			146-215	Strobe mode 3, slow -fast	
			216-255	Close strobe ,light on	
		CH2	CH3	0-255	R (warm white)dimming 0-100%
		CH3	CH4	0-255	G (warm white)dimming 0-100%
		CH4	CH5	0-255	B (cool white)dimming 0-100%
		CH5	CH6	0-255	White dimming 0-100% (Only HSB701 have this function ,other lights no function in this channel
		CH7	0-50	No function	
			51-99	Auto 1 (Jumping change)	
			100-150	Auto 2 (gradual change)	
	151-255		Auto 3(Strobe jumping change)		
		CH8	0-255	Auto mode speed control (need	

	7	TENP	Temperature display, to show the LED board temperature in time.
HSB795A HSB795B HSB795C	1	d001(12 CH)	DMX512 control mode, Press“▲ / ▼” to adjust the address code 001-512, press“ENTER”to confirm /save
	2	At01	Auto 1 (pattern +line), press“ENTER”to confirm /save
	3	At02	Auto 2 (line), press“ENTER”to confirm /save
	4	At03	Auto 3 (pattern) , press“ENTER”to confirm /save
	5	TEST	Display test pattern

CONNECTION OF POWER SUPPLY AND CONTROL NETWORK CABLE

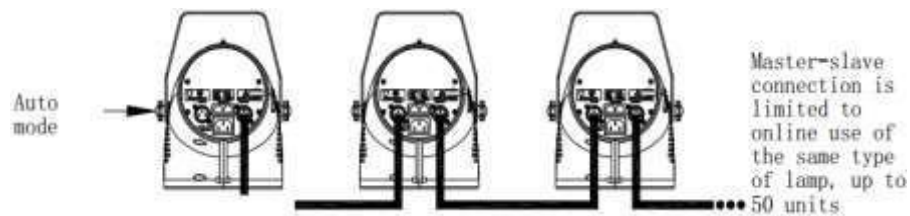
1、 Power supply connection.





Please ensure the power supply is safely grounded
Please use the international triangle plug and the suffix power cord
Please make sure that the suffix is completely inserted into the lights socket.

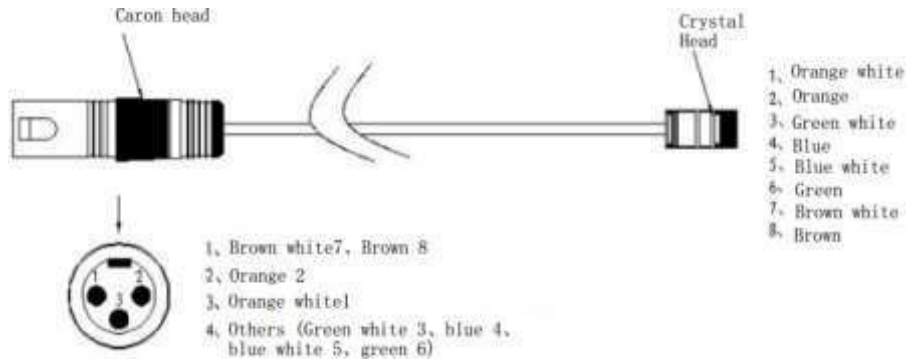
3、 Master& Slave DMX cable connection:



2、 The usage of network cable, the change between network cable and Caron seat

- The light use network cable as a control method of DMX signal. The connect method of network connector is the same as other comment cable.
- Caron seat signal line: please use the international standard DMX512 agreement (the signal line should shielded earth wire).
- Network interface signal line: please use RJ45 crystal joint, the cable should use more than CAT5e .

■ You can purchase the network convert box from us with the transfer the network cable, Caron seat and Caron head, or you can also connect the Caron plug according to the below figure.



DESCRIPTION OF LIGHTING FUNCTION

1. we use key press + digital display as panel control (like right picture)

Press "MENU" to menu switch.

Press "▲" and "▼" to adjust the value.

Press "ENTER" to confirm / save.



2. Key operation menu:

Model	No	Menu	Function
HSB701 HSB702 HSB711	1	A001(8 channel mode)	DMX512 control mode, press "▲ / ▼" to adjust address code 001-512, press "ENTER" to confirm / save

	2	d001(5 channel mode)	DMX512 control mode, press "▲ / ▼" to adjust address code 001-512, press "ENTER" to confirm / save
	3	At01	Auto 1, press "ENTER" to confirm / save
	4	At02	Auto 2, press "ENTER" to confirm / save
	5	R000/G000/B000/U000	RGBW dimming 0-255, Press "ENTER" to change / save
	6	SLAU	Slave mode, press "ENTER" to confirm / save
	7	TENP	Temperature display, to show the LED board temperature in time.
	HSB720 HSB752	1	d001(9 channel)
2		At01	Auto 1, press "ENTER" to confirm / save
3		At02	Auto 2, press "ENTER" to confirm / save
4		Soud	Sound mode, press "ENTER" to confirm / save
5		Sd00	Adjust the sound sensitivity, press "ENTER" to confirm / save
6		SLAU	Slave mode, press "ENTER" to confirm / save